

EL-ST300 Biometric Access Controller



The EL-ST300 Biometric Access Controller is a robust, multi-authentication access solution designed for secure and reliable door control in both indoor and outdoor environments. Housed in a metal anti-vandal casing and rated IP66 waterproof, it is ideal for offices, factories, residential buildings, and high-traffic commercial applications.

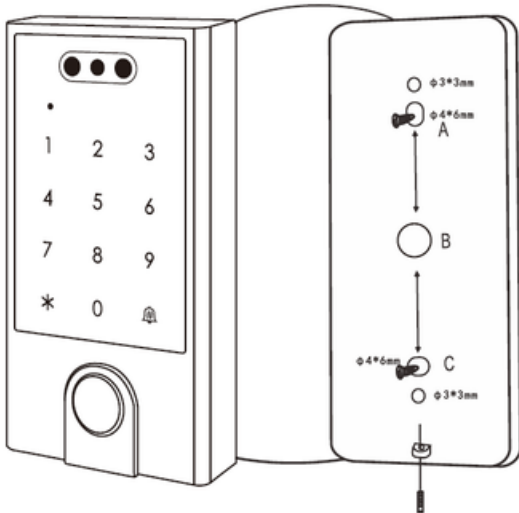
Supporting Face Recognition, Fingerprint, Card, and PIN access, the EL-ST300 offers flexible access options while maintaining a high level of security. It is compatible with both IC (13.56MHz Mifare) and ID (125KHz EM) cards and supports multiple Wiegand formats for seamless integration with existing access control systems.

With a generous user capacity and stable performance, the EL-ST300 can operate as a standalone unit or be paired with MX63 Elock X Access Controller, making it suitable for scalable security deployments.



Card Type:	IC (13.56MHz Mifare) & ID (125kHz EM)
Reading Distance:	20~40mm (1.6") max
Input Voltage :	12- 18V DC
IP Rating:	IP66 (Waterproof)
User Capacity:	300 Face, 5000 Cards/Pins, 500 Fingerprints
Wiegand Input/ Output Format:	<ul style="list-style-type: none"> • EM Card: Wiegand 26 to 44 bits (Default: 26 bits) • Mifare Card: Wiegand 26 to 44, 56, 58 bits (Default: 34 bits) • Pin Output: 4,8 bits (ASCII), 10 digits virtual number (Default: 4 bits)
Wiring Connection:	Relay Output, Exit Button & Doorbell
Material:	Metal Housing (Anti-Vandal)
Door Open Options:	Face/ Fingerprint/ Card/ Pin
Can Be Paired With:	MX63 Elock X Access Controller/ Standalone
Dimension:	133 (H) x 25 (D) x 66 (W) mm

Installation & Wiring Diagram



Wire Color	Function	Notes
Basic Standalone Wiring		
Red	DC+	12~18V DC Power Input
Black	GND	Negative Pole of DC Power Input
Blue & Black	Relay NO	Normally Open Relay Output (install diode provided)
White & Black	Relay Common	Common Connection for Relay Output
Green & Black	Relay NC	Normally Closed Relay Output (Install diode provided)
Yellow	OPEN	Request to Exit(REX) Input
Pass-Through Wiring (Wiegand Reader or Controller)		
Green	Data 0	Wiegand Output (Pass-through) Data 0
White	Data 1	Wiegand Output (Pass-through) Data 1
Advanced Input and Output Features		
Grey	Alarm Output	Negative contact for Alarm
Brown	Contact Input	Door/Gate Contact Input (Normally Closed)
WIFI Version with Doorbell		
Brown & Black	Doorbell A	Contact for Doorbell
Yellow & Black	Doorbell B	Contact for Doorbell

- > Remove the back cover from the unit
- > Drill 2 holes(A,C) on the wall for the screws and one hole for the cable
- > Knock the supplied rubber bungs to the screw holes(A,C)
- > Fix the back cover firmly on the wall with 4 flat head screws
- > Thread the cable through the cable hole(B)
- > Attach the unit to the back cover

Sound & Light Indication

Operation Status	LED	Buzzer
Stand by	Red light bright	—
Enter into programming mode	Red light shines	One beep
In the programming mode	Orange light bright	One beep
Operation error	—	Three beeps
Exit from the Programming mode	Red light shines	One beep
Open lock	Green light bright	One beep
Alarm	Red light Shines quickly	Beeps

Basic Configure

Enter and Exit Program Mode

Programming Step	Keystroke Combination
Enter Program Mode	* (Master Code) # (Factory default is 123456)
Exit Program Mode	*

Set Master Code

Programming Step	Keystroke Combination
1. Enter Program Mode	* (Master Code) #
2. Update Master Code	0 0 # (New Master Code) # (Repeat New Master Code) # (Master code is any 6 digits)
3. Exit Program Mode	*

Set the Working Mode

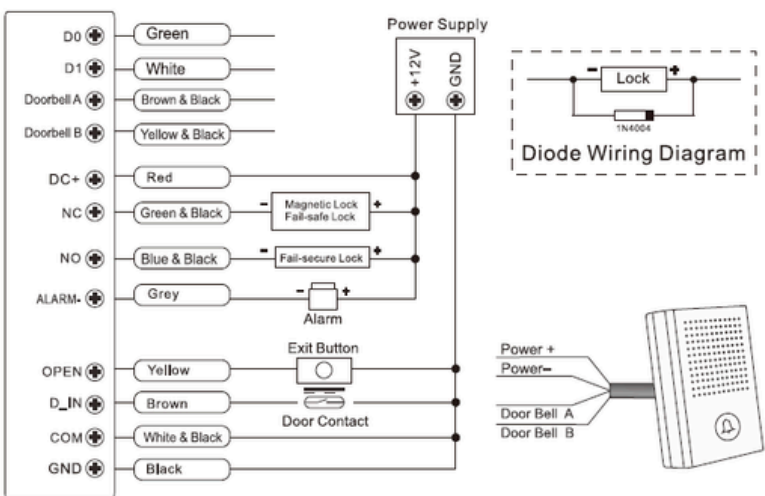
Notes: The device has 3 working modes: Standalone Mode, Controller Mode, Wiegand Reader Mode, choose the mode you use. (Factory default is Standalone Mode / Controller Mode)

Programming Step	Keystroke Combination
1. Enter Program Mode	* (Master Code) #
2. Standalone/Controller Mode OR 2. Wiegand Reader Mode	7 4 # 0 # (factory default) 7 4 # 1 #
3. Exit	*

Standalone Mode

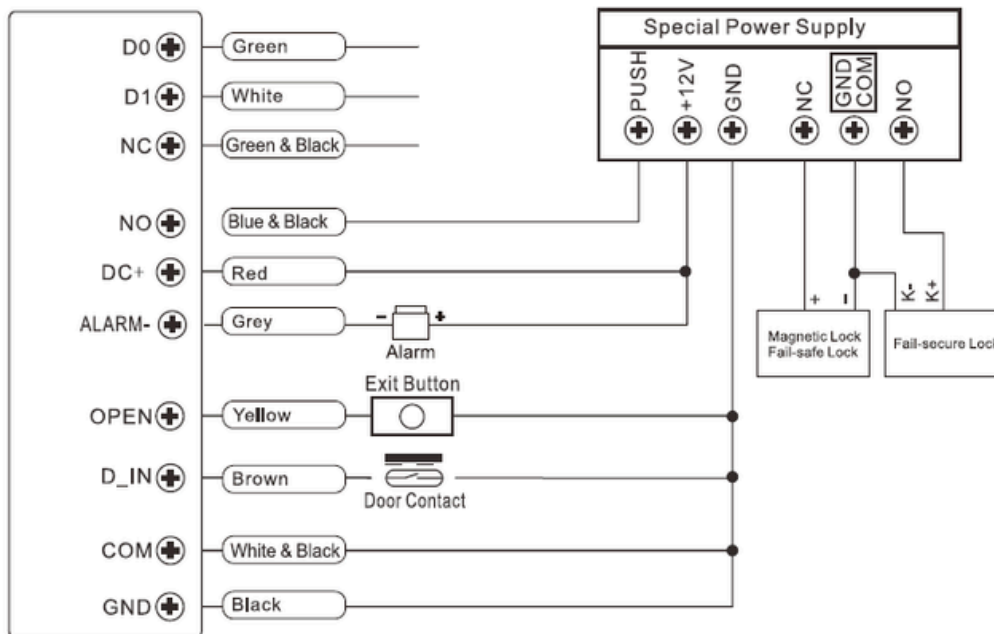
The device can work as Standalone Access Control for single door.
(Factory default mode) — 7 4 # 0 #

Connection Diagram Common Power Supply



Note:
Install a IN4004 or equivalent,
diode is needed when use a common power supply,
or the keypad might be damaged.
(1N4004 is included in the package)

Access Control Power Supply



Programming

Programming will be vary depending on access configuration. Follow the instructions according to your access configuration.

Notes:

> **User ID number:** Assign a user ID to the access Face /Card /PIN / Fingerprint in order to track it.

> User ID number:

- The Common Card/PIN user ID: 1-4987
- Authorized User ID: 4988
- Panic User ID: 4989~4990
- Visitor User ID: 4991-5000
- Face user ID: 5001-5300
- Fingerprint User ID: 6001-6499 (Fingerprint version only)
- Master Fingerprint ID: 6500

IMPORTANT: User IDs do not have to be proceeded with any leading zeros. Recording of User ID is critical. Modifications to the user require the User ID be available.

> **Proximity Card:** EM card, Mifare card

> **PIN:** Can be any 4~6 digits.

Can Be Paired With: MX-63 Single Door Access Controller

