

EL-RD300 IC/ID Card Reader



The EL-RD300 IC/ID Card Reader is a reliable and secure access control reader designed for modern security systems. Supporting IC (13.56MHz Mifare), ID (125KHz EM), and HID (125KHz EM) cards, it offers wide compatibility for various access control applications.

Equipped with OSDP and Wiegand communication and AES-128 encryption, the EL-RD300 ensures secure data transmission between the reader and access controller. Its IP66 waterproof rating makes it suitable for both indoor and outdoor installations, while the durable ABS plastic housing provides long-term reliability.

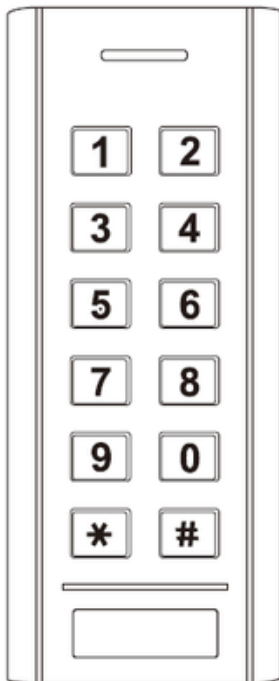
The built-in keypad allows flexible door access via card or PIN, making it ideal for offices, commercial buildings, factories, and residential projects. The EL-RD300 can be easily integrated with the MX63 Elock X Access Controller, delivering a scalable and secure access solution.

ACCESS CONTROL SERIES

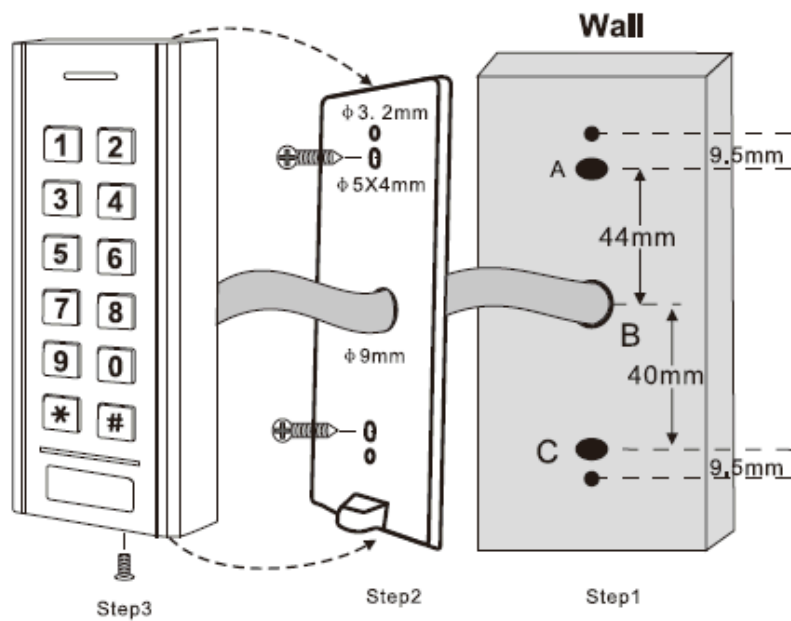


Card Type:	IC (13.56MHz Mifare) & ID (125kHz EM) & HID (125kHz EM) Cards
Reading Distance:	20~40mm (1.6") max
Input Voltage :	12- 18V DC
IP Rating:	IP66 (Waterproof)
Features:	OSDP + Wiegand, AES 128 Encryption
Wiegand Output Format:	<ul style="list-style-type: none">• EM Card: Wiegand 26 to 44 bits (Default: 26 bits)• Mifare Card: Wiegand 26 to 44, 56, 58 bits (Default: 34 bits)• HID Card: Wiegand 26 to 37 bits
Keypad Transmission Format:	<ul style="list-style-type: none">• 4 bits (Factory Default)• 8 bits• Or Virtual Card Number Can be Set
Material:	ABS Plastic
Door Open Options:	Pin/ Card
Can Be Paired With:	MX63 Elock X Access Controller
Dimension:	120 (H) x 20 (D) x 50 (W) mm

Installation & Wiring Diagram



- Drill 2 holes (A, C) on the wall for the screws and one hole (B) for the cable
- Knock the rubber bungs to the holes (A, C)
- Fix the back cover on the wall with 2 screws
- Thread the cable through the cable hole (B)
- Attach the unit to the back cover

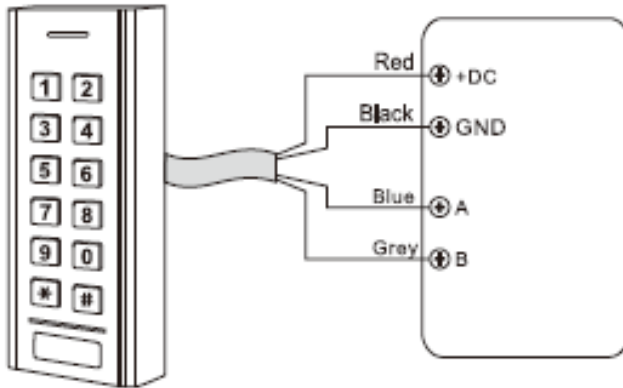


Wiring

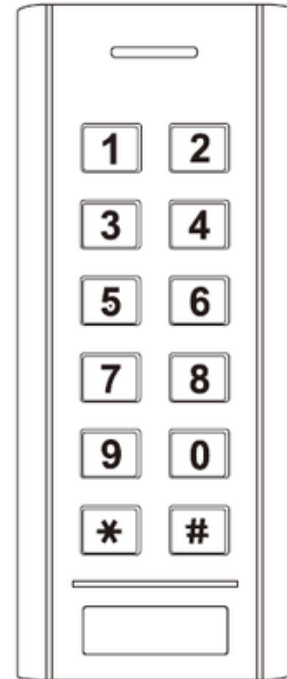
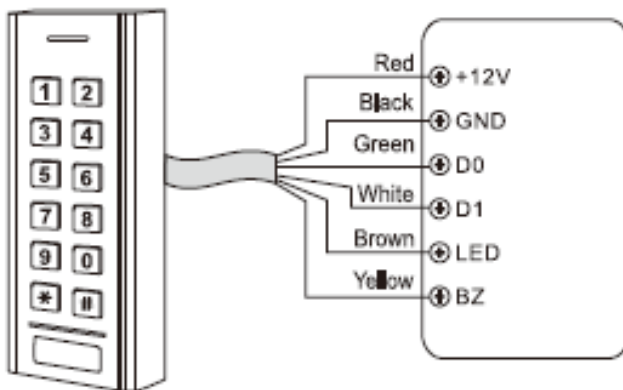
Color	Function	Notes
Red	Power +	+12V
Black	GND	Ground
Green	D0	Data 0
White	D1	Data 1
Brown	LED	Green LED Light Control
Yellow	Buzzer	Buzzer Control
Blue	A	RS485A
Gray	B	RS485B

Connection Diagram

Connect with OSDP Controller



Connect with Wiegand Controller



Indicator Light Status

Operation Status	Indicator light color	Buzzer
Standby status	OSDP Controller decides	
Correct Card	OSDP Controller decides	beep-
Error Card	OSDP Controller decides	beep-

Can Be Paired With: MX-63 Single Door Access Controller

