



**e-lock-S210M /
e-lock-S210MF**

Features

e-lock-210 series electric strike lock offer cost effective solution with easy installation & suitable for variety of application. It is built-in with a micro switch that provides door status monitoring capability. All locks come with stainless steel face plate, designed to fit for most types of Aluminum, Steel, Wooden or Brass door application.

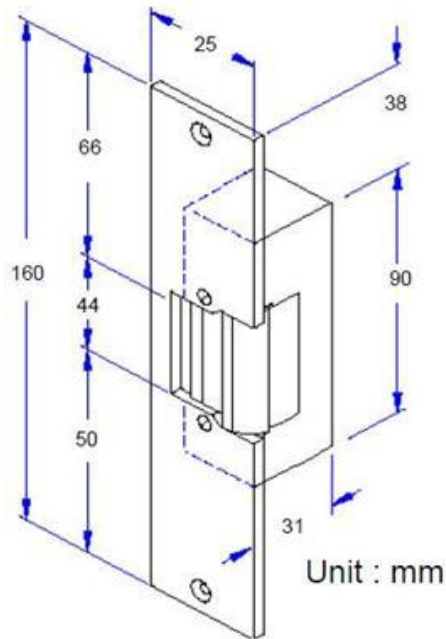
Specification

- 12Vdc operation
- Operation current 190mA
- e-lock-S210M (Fail-Secure Type) , Narrow style
- e-lock-S210MF (Fail-Safe Type) , Narrow style
- With Door Status Signal feedback / monitored
- Holding Force : 200KG (440lbs)
- Dimension : 160mm(L) X 24mm(W) X 31mm(D)
- Face Plate : Stainless Steel
- Protection Class : IP40
- Safety Approval :- **CE**
- Electrical Specification:
 - Voltage: 12Vdc
 - Power Consumption: 2.3 watt max.
 - Current drawn: 170mA / 12VDC (Fail Safe model)
 - 190mA / 12VDC (Fail Secure model)

Wiring Diagram



User Guide – Installation



User Guide – Door Status Signal



Door Status Signal (Micro Switch)

| Terminals | Door Closed | Door Opened |
|-----------|-------------|-------------|
| Blue | NC | NO |
| Red | NO | NC |
| Green | Com | Com |