



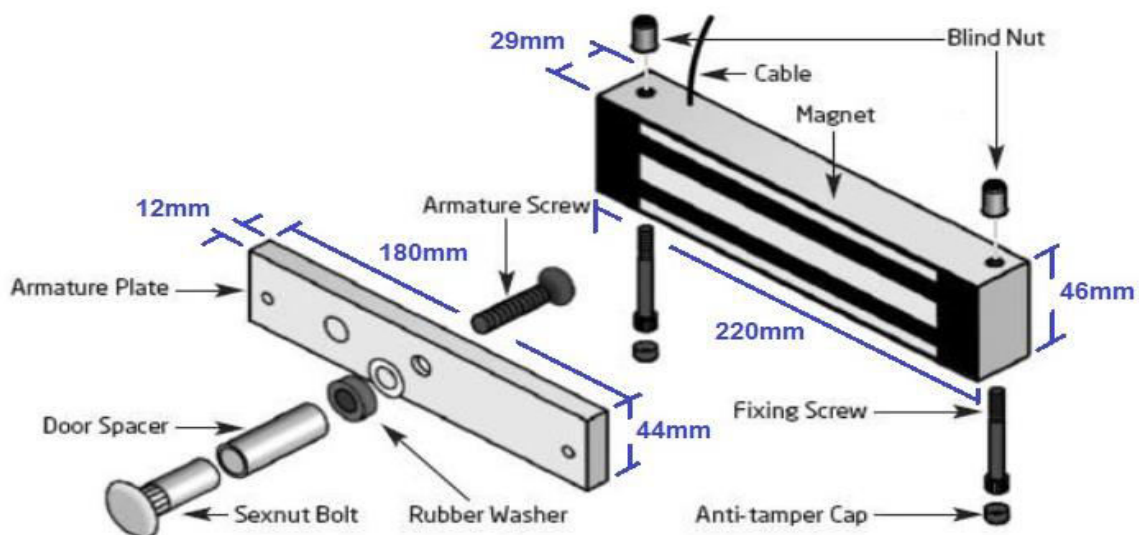
elock-800S

Features

elock-800S Gate Locks provide 800 lbs. holding force, with its rugged, stainless-steel housing, the weather-resistance Gate Lock is the ideal solution for perimeter security and vehicle gates.

Specifications

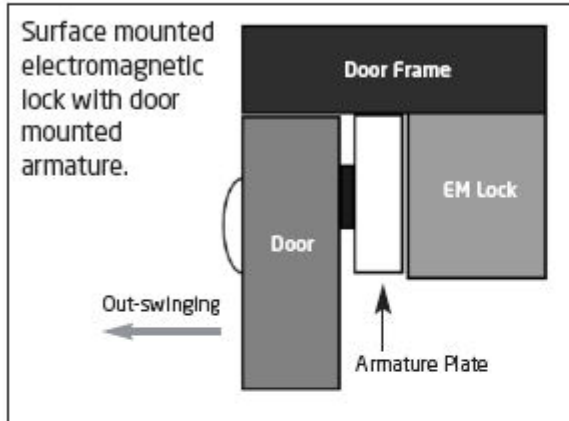
- Stainless Steel housing
- Fully sealed electronics, Weather-resistant rating IP 66
- Face or side mounts easily with a minimum of tools
- Dual voltage 12 & 24 Vdc
- Current drawn 500mA / 250mA
- MOV surge protection
- Fail-Safe type
- Push-off button on armature for instant release
- Safety Approval: **CE**
- Operating Temperature : -20°C to 55°C
- Dimension :
 - Magnet :220(L) X 46(W) X 29(D) mm
 - Armature Plate :180(L) X 44(W) X 12(D) mm



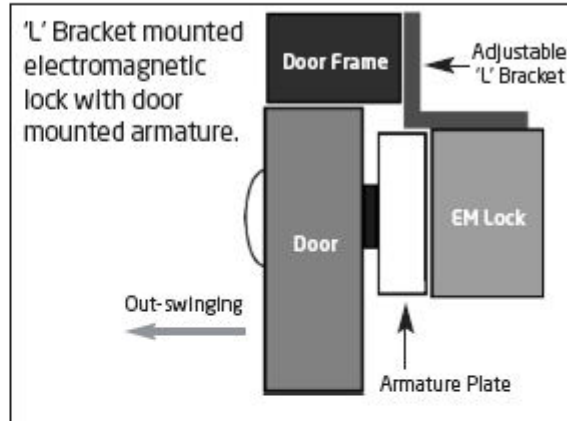
Mounting Configurations:

Please identify the type of Installation required, for example; which way the door/gate will swing. Refer to the Installation diagrams for the blind nut, magnetic lock, bracket & armature to complete the install.

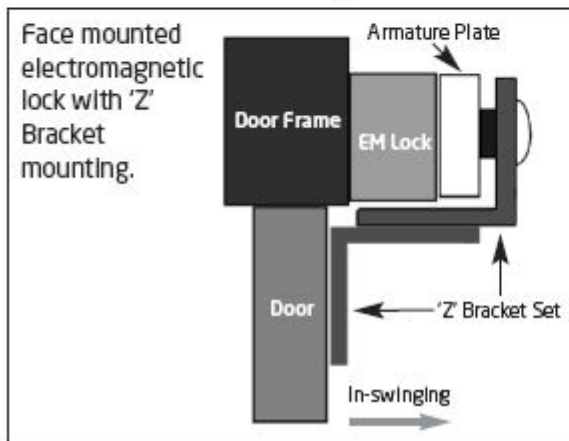
Standard mounting



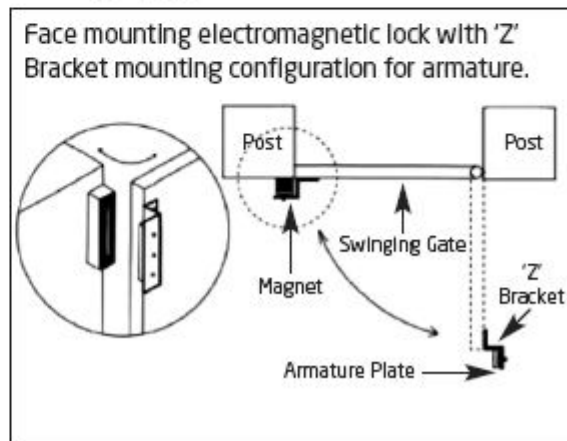
'L' Bracket mounting



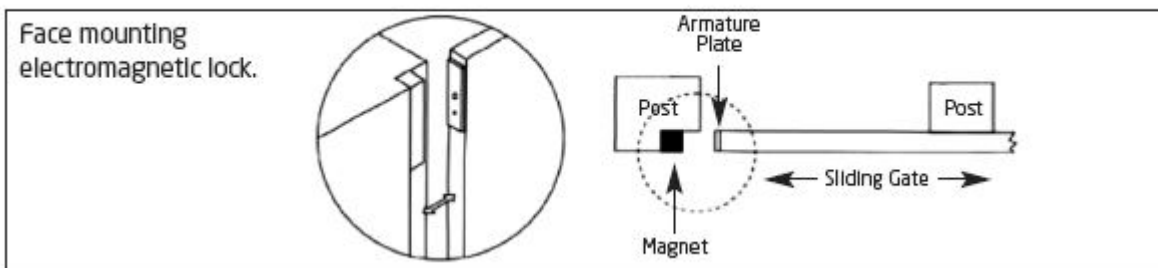
'Z' Bracket mounting



Swinging gate

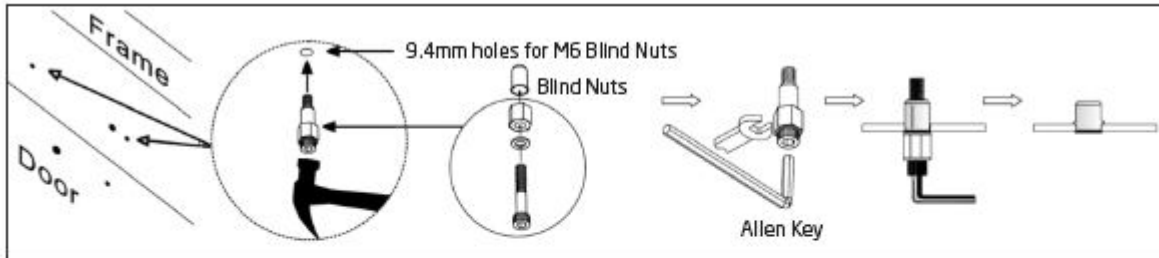


Sliding gate

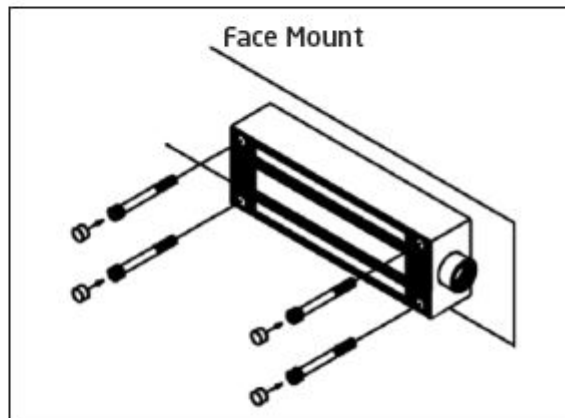
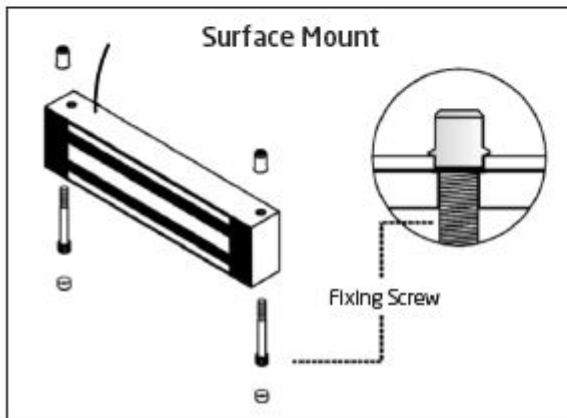


Installation Instructions:

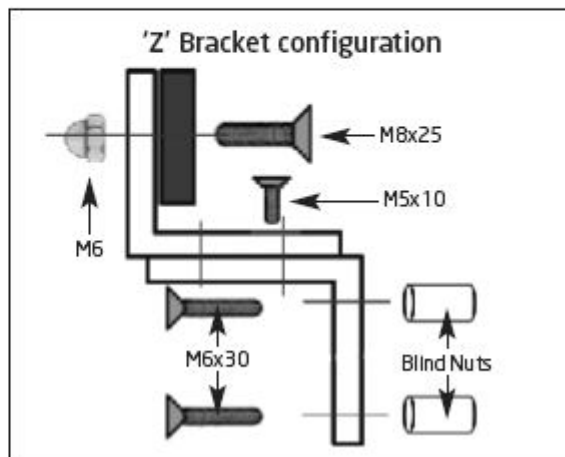
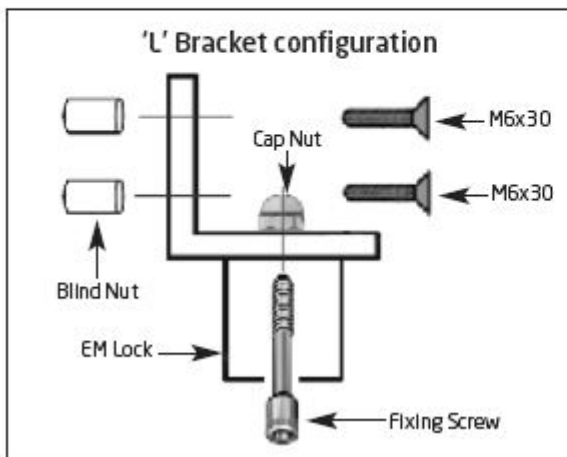
Blind nut installation x2



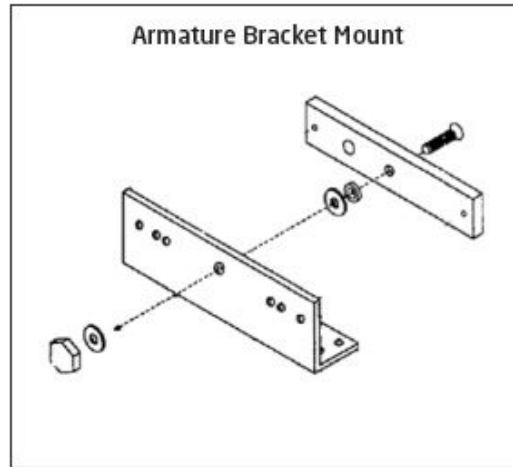
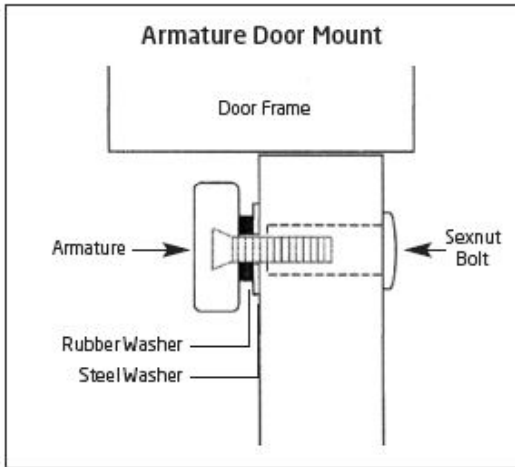
Blind nut and electromagnetic lock installation



Blind nut and bracket installation

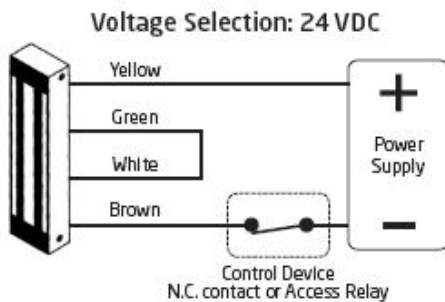
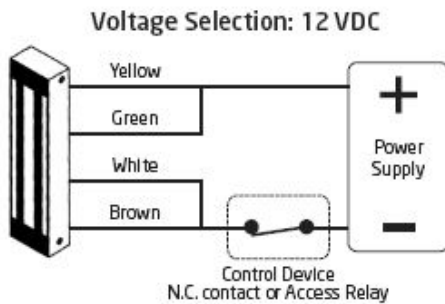


Armature installation



Wiring configuration

It is recommended to install the electromagnetic lock inside the property and conceal the cable inside the door frame to avoid unlawful entry.



Rubber washer installation

The rubber washer allows the armature plate to pivot to compensate for door misalignment.

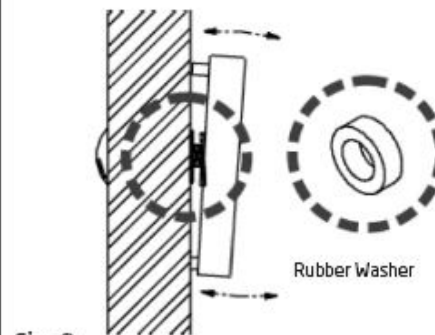


Fig. 8