



eLock-600x2 /  
eLock-600Lx2

## Features

**eLock-600x2 Series** electromagnetic locks offer cost effective solution with easy installation & suitable for variety of application. It has no moving parts thus keeping maintenance to a minimum. All types of brackets are available to ease installation for both in-swing & out-swing doors.

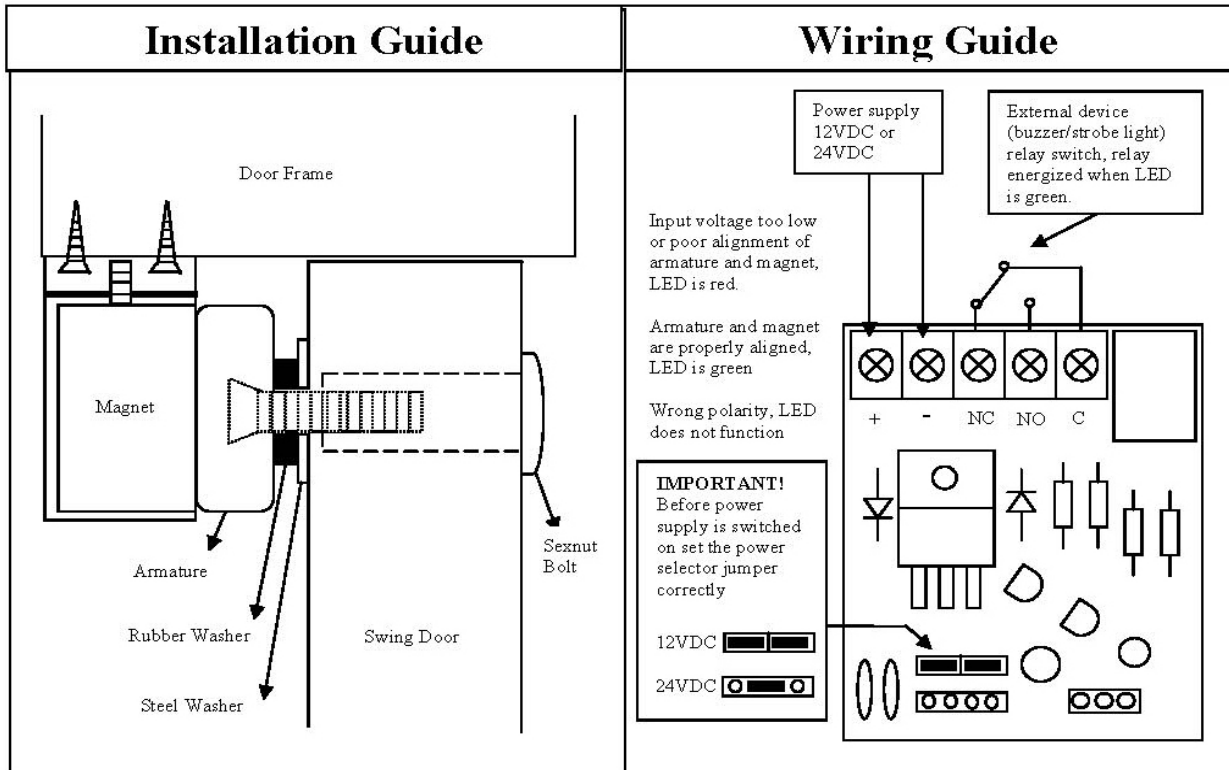
## Specification

- 2X600lbs holding force ( Double Magnets )
- Specially designed for double leaf doors.
- Aluminium Material
- Dual voltage 12 & 24 Vdc
- Current drawn 2 X (500mA / 250mA)
- MOV surge protection
- Fail-Safe type
- Unmonitored Model ( eLock-600X2 )  
& Monitored Model ( eLock-600LX2 )
- Push-off button on armature for instant release
- IP Rating : IP40
- Operating Temperature : -20°C to +55°C
- Net Weight: 2.5Kg
- Gross Weight: 3.8Kg
- Humidity : 0% to 95%RH (non-condensing)
- Dimension : -

Magnet : 250(L) X 41(W) X 26(D) mm

Armature Plate : 170(L) X 38(W) X 11(D) mm

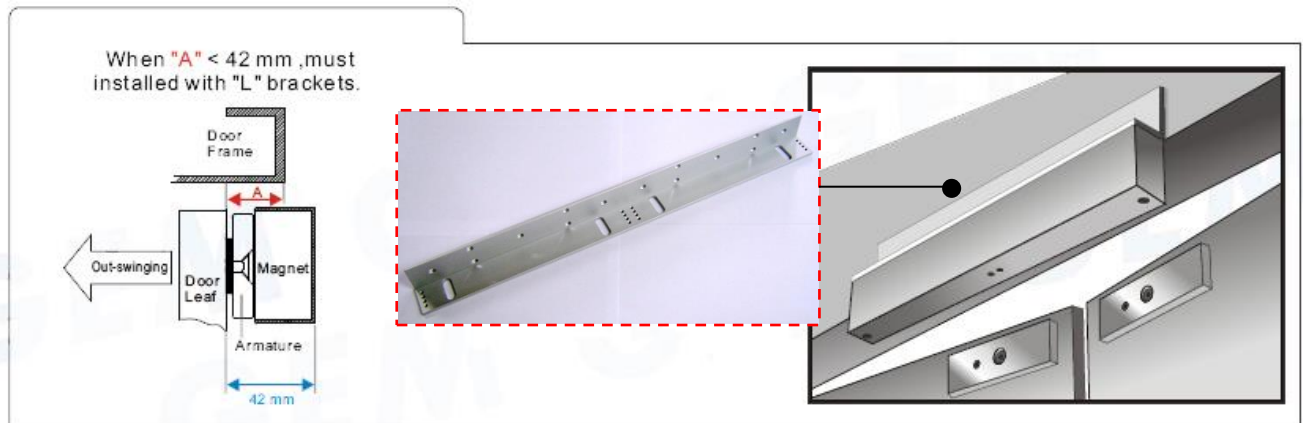
## User Guide



## Optional Brackets

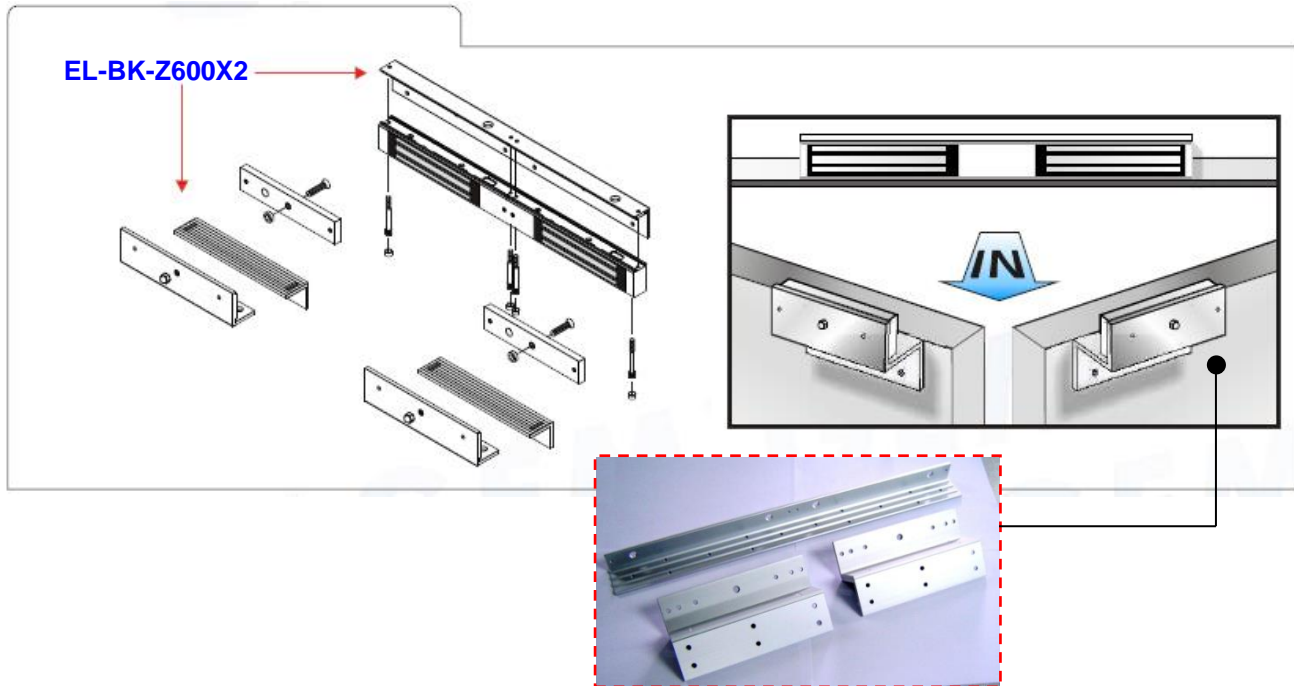
### EL-BKL ( L Bracket )

- Adjustable "L" bracket for outward door when the header is narrow.
- Available for eLock-300, 600 & 1200 Series.



## EL-BKZ ( ZL Bracket )

- Adjustable "ZL" bracket for inward door application.
- Specially designed for double leaf doors



## EL-BKU ( U Bracket )

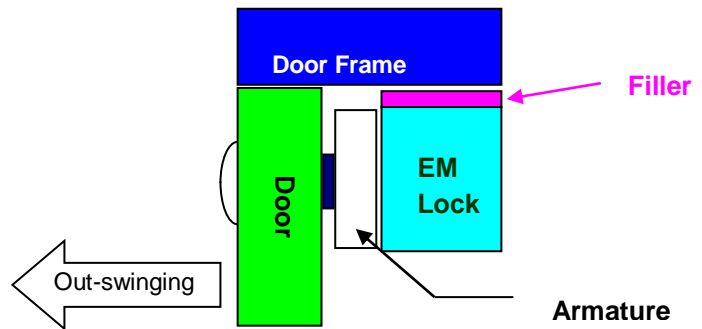
- Specially designed for glass door solution
- Available for e-lock-300 & 600 Series



## Mounting Diagram

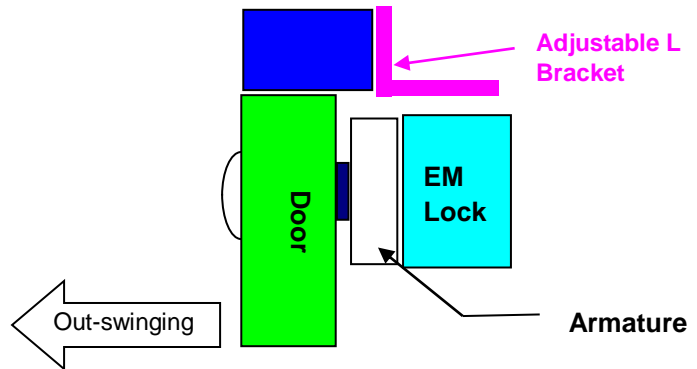
### Standard Mounting:

- With Filler Plate attached on top of EM Lock.



### L Bracket Mounting :

- Mounting with "Adjustable L Bracket" when Door frame is narrow.
- Mounting Procedure :-  
Remove the original "Filler Plate" attached to EM Lock, replaced with " Adjustable L Bracket " set.



### ZL Bracket mounting :

- Mounting with " ZL Bracket " for In-swing door application.
- Mounting Procedure :-  
Remove the original "Filler Plate" attached to EM Lock, replaced with " Adjustable ZL Bracket " set.

