



elock-1200x2 /
elock-1200Lx2

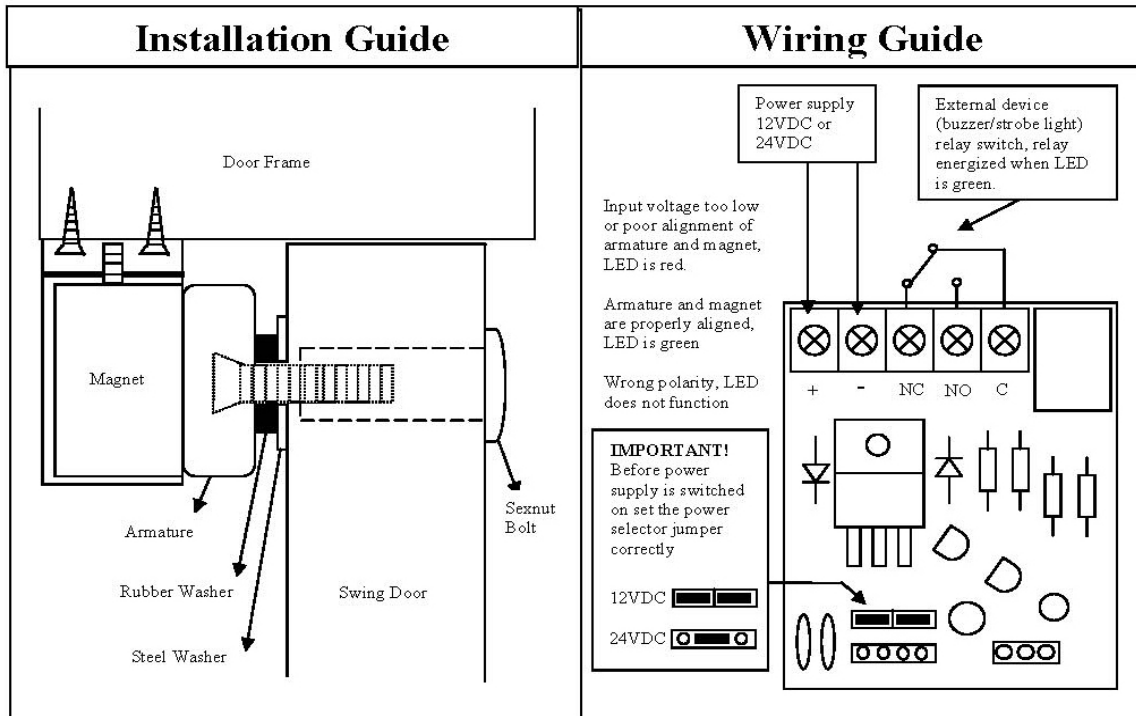
Features

elock-1200x2 Series electromagnetic locks offer cost effective solution with easy installation & suitable for variety of application. It has no moving parts thus keeping maintenance to a minimum.

Specification

- 2X1200lbs holding force (Double Magnets)
- Specially designed for double leaf doors
- Dual voltage 12 & 24 Vdc
- Current drawn 2 X (500mA / 250mA)
- MOV surge protection
- Fail-Safe type
- Unmonitored Model (elock-1200X2)
& Monitored Model (elock-1200LX2)
- Push-off button on armature for instant release
- Dimension : -
Magnet : 265x2(L) X 66x2(W) X 40x2(D) mm
Armature Plate : 185(L) X 60(W) X 17(D) mm

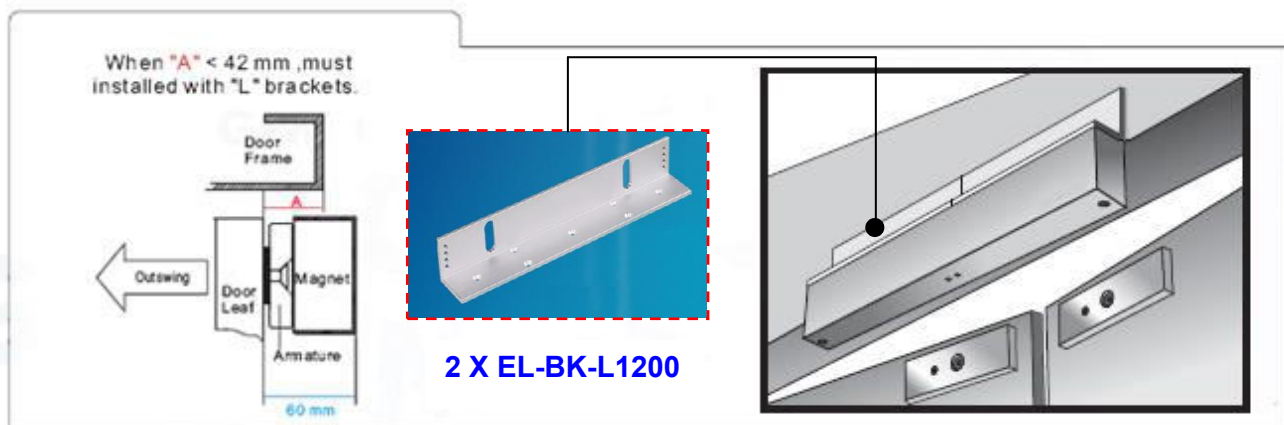
User Guide



Optional Brackets

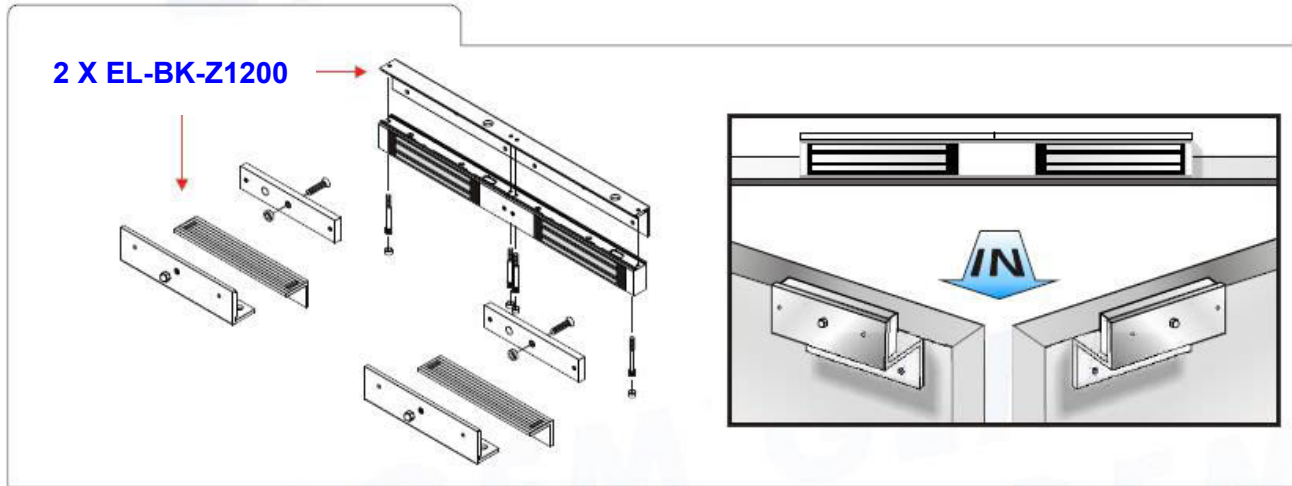
EL-BKL (L Bracket)

- Adjustable "L" bracket for outward door when the header is narrow.



EL-BKZ (ZL Bracket)

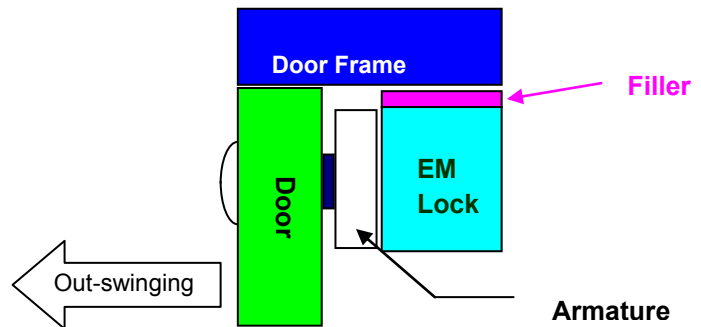
- Adjustable "ZL" bracket for inward door application.



Mounting Diagram

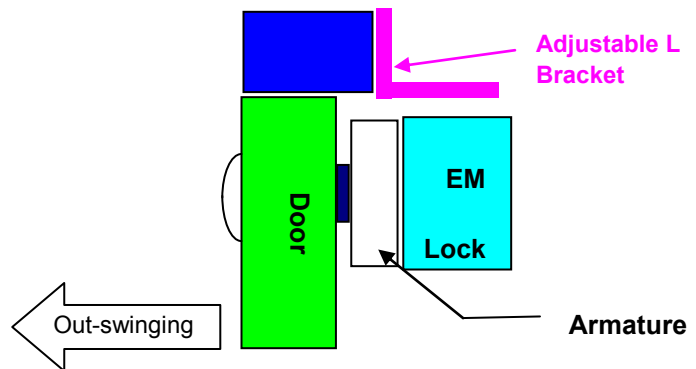
Standard Mounting:

- With Filler Plate attached on top of EM Lock.



L Bracket Mounting :

- Mounting with "Adjustable L Bracket" when Door frame is narrow.
- Mounting Procedure :-
Remove the original "Filler Plate" attached to EM Lock, replaced with " Adjustable L Bracket " set.



ZL Bracket mounting :

- Mounting with " ZL Bracket " for In-swing door application.
- Mounting Procedure :-
Remove the original "Filler Plate" attached to EM Lock, replaced with " Adjustable ZL Bracket " set.

