



Description :

EL-CF1EM face recognition fingerprint reader is fully capable of all the basic access control functionality, vandal proof, weatherproof with stylish design. Ideal for single door access control system.

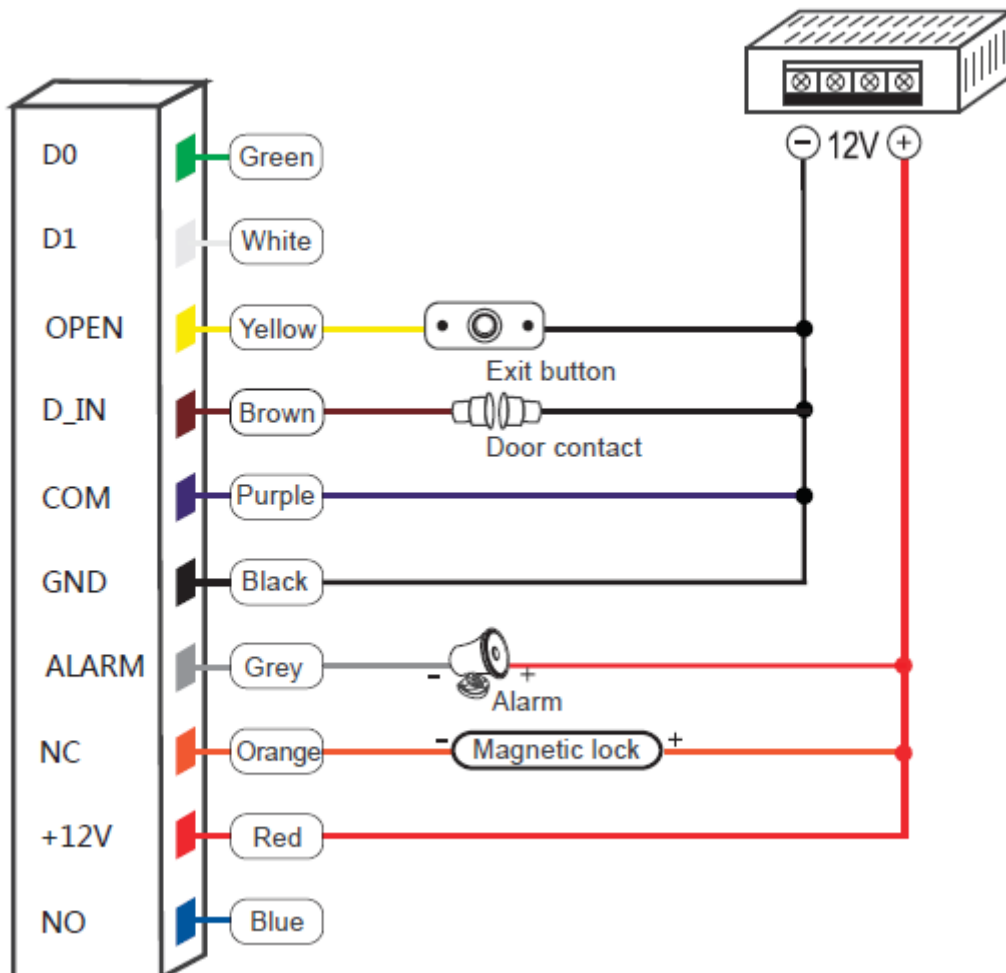
Key Features :

- Standalone device - ideal for single door system, controlling electric lock, security system
- Verify via face recognition, fingerprint or ID card
- Vandal proof zinc alloy case
- Weatherproof design
- Wiegand26 Output
- Infrared remote control operation
- Multiple access mode operation

Technical Specification :

- Input Voltage : 12V DC
- Current Consumption : $\leq 350\text{mA}$
- Operating Temperature : $-40^{\circ}\text{C} \sim +60^{\circ}\text{C}$
- Card Type : 125kHz EM card
- Wiegand Interface : Wiegand 26 bits
- Facial Recognition Distance : 50CM~1Meter
- Indication : Buzzer and LEDs (Red and Green)
- Lock Output Load : $\leq 1\text{A}$
- User Capacity : 10000 card user | 1000 facial user | 600 fingerprint
- Access mode : card | facial recognition | fingerprint | card+fingerprint | card+facial recognition
- Dimension : 139 x 70 x 22 mm
- Unit Weight : 200g

Wiring Diagram (Standalone Mode):



Wiring Diagram (Operating as Wiegand Output Reader) :

