



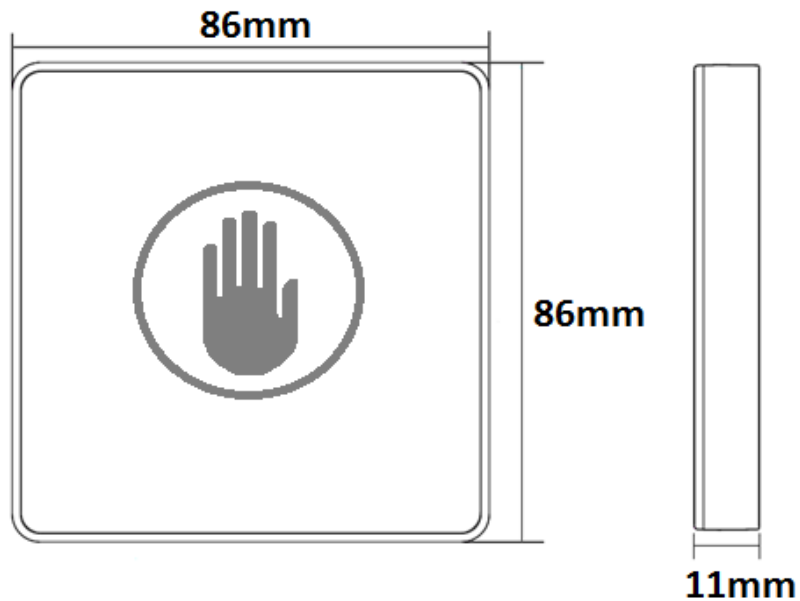
This device uses infra red technology. It will activate when our palm near to the sensor.

Specification :

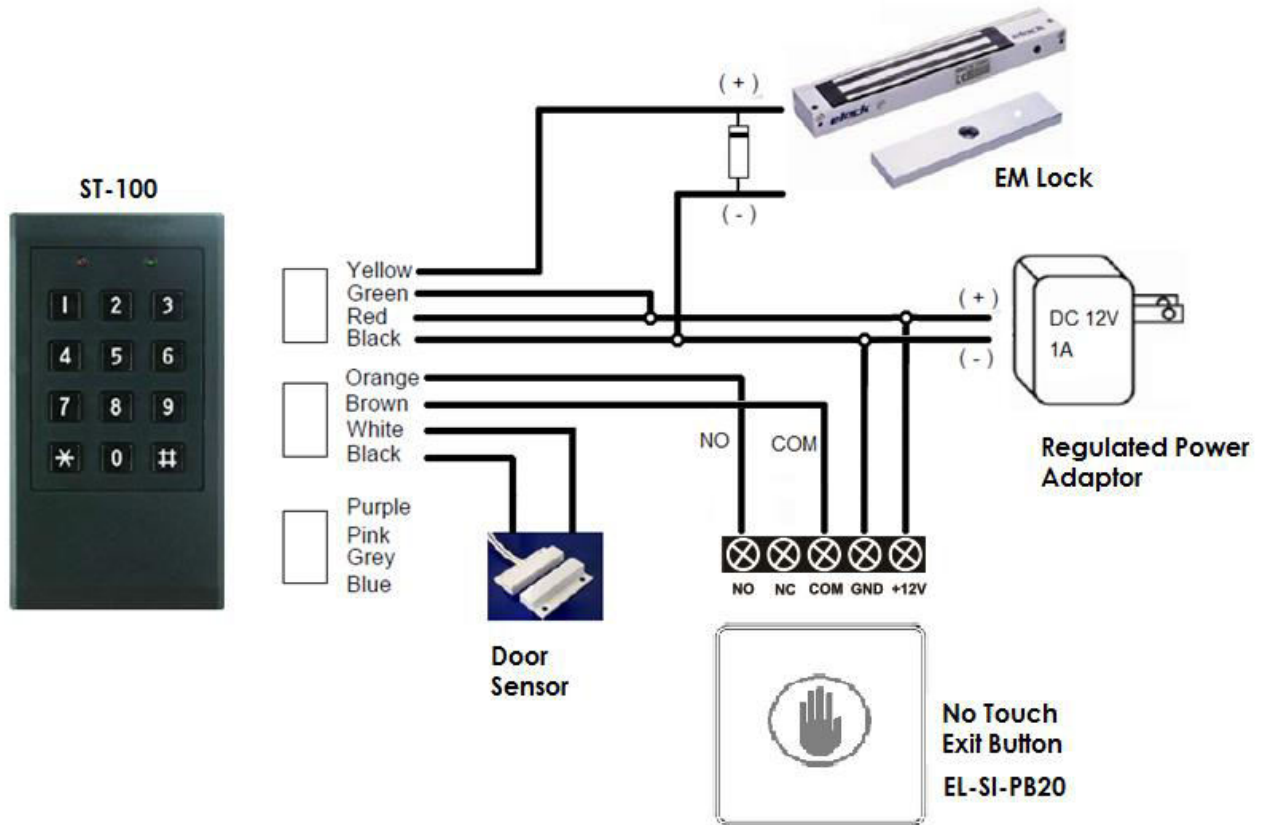
- Dimension : 86mm(L) x 86mm(W) x 11mm(H)
- Color : White
- Input : 12VDC to 24VDC
- Current : Standby 30mA, Momentary Activate 100mA
- Output Contact : NO, NC, COM
- Operating Temp : -10°C ~ 55°C (14~131F)
- Detection Range : 0.1cm ~ 6cm
- Weight: 0.11kg
- Blue LED Indicator : Standby
- Green LED Indicator : Operation
- Working Mode : No Touch

Technical Information :

EL-SI-PB20W



Wiring Diagram :



Mounting Information :

