



**EL-S886-M9**



**EL-S870-M9**



## Product Feature :

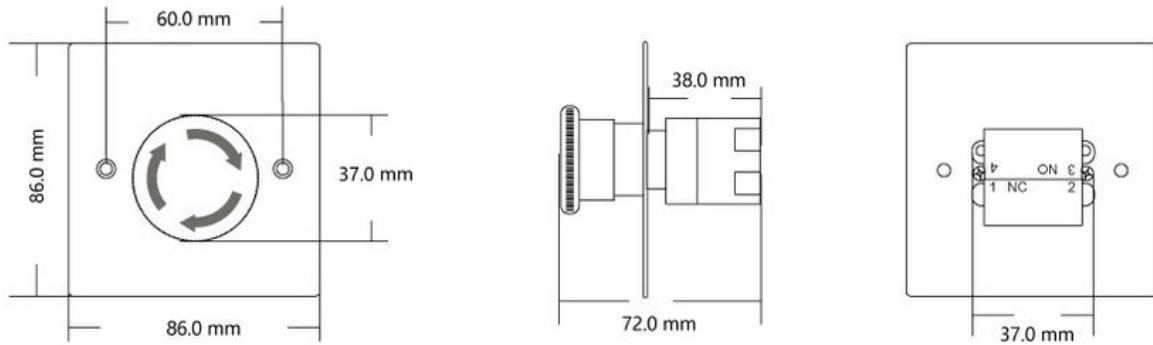
Latching emergency button is used for machine emergency stop, electromagnetic launch, contactor and delay in other line.

## Specification :

Parameter	Description
Material	1.8mm Thick 304 Stainless Steel Plate
Dimension	86 x 86 x 38mm <b>(S886-M9)</b> / 115 x 70 x 38mm <b>(S870-M9)</b>
Weight	0.18KG <b>(S886-M9)</b> / 0.19KG <b>(S870-M9)</b>
Contact Rating	10A / 125-250VAC
Power Supply	DC12V
Output Contact	NO/NC/COM
Reset Mode	Manual Reset
Mechanical Life	500,000 times
Operating Humidity	0-95% (RH)
Temperature	-20°C ~ +55°C
IP Rating	IP65

## Dimension Information :

### (EL-S886-M9)



### (EL-S870-M9)

