

Features :

- Resettable design. EL-MCP110 obvious indicators around the edges of the unit.
- Press the pressing plate to enable the output function.
- Pressing plate with status (green and red) shown.
- Reversionary key with non-slip design.
- Built-in buzzer status.
- Input power range from DC12-24V to connect with all types of fire alarm system.
- Easy to assemble, outer case without screws, 3 set of output points to connect other equipment, embedded or surface installations to select.

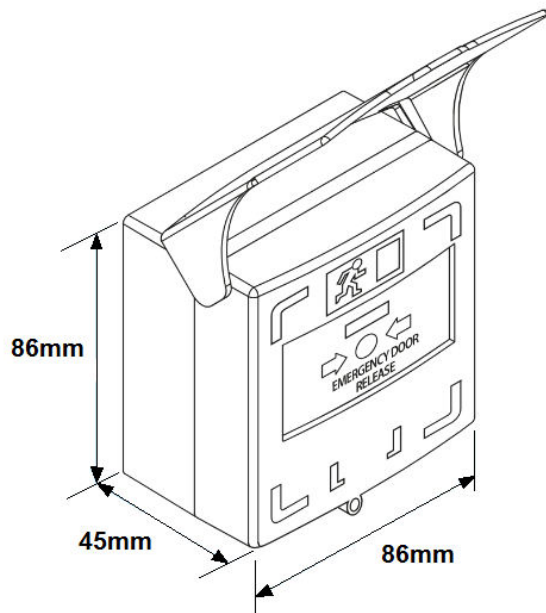
Specification

- Power Supply : DC 12V ~ DC 24V
- Operation Current :
 - DC 12V : 18mA (Standby) / 75mA (Operation)
 - DC 24V : 11mA (Standby) / 41mA (Operation)
- Buzzer : Set as silent, interval wailing or continuous wailing
- Indicator :
 - Dual color (Red and Green)
 - Red indicator to set blinking, off or on
- Output : N.O / N.C / COM (maximum load 125V/3A)
- Material : ABS, PC
- Dimension : 86L x 86W x 45H (mm)
- Weight : 208g (including wrapping)

Resettable Call Point

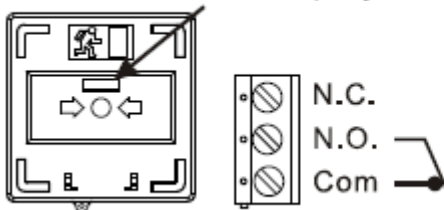
EL-MCP110

Product Dimension :

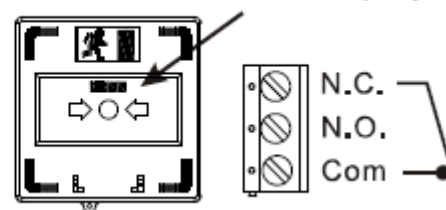


Status :

Status display : Green

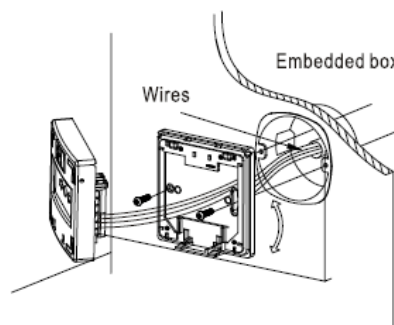
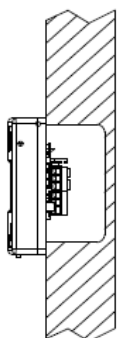


Status display : Red

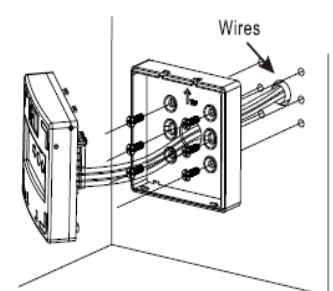
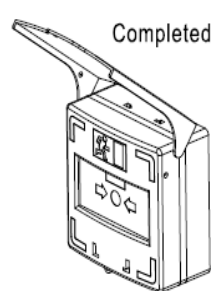


Embedded Installation :

Lateral view



Surface Installation :



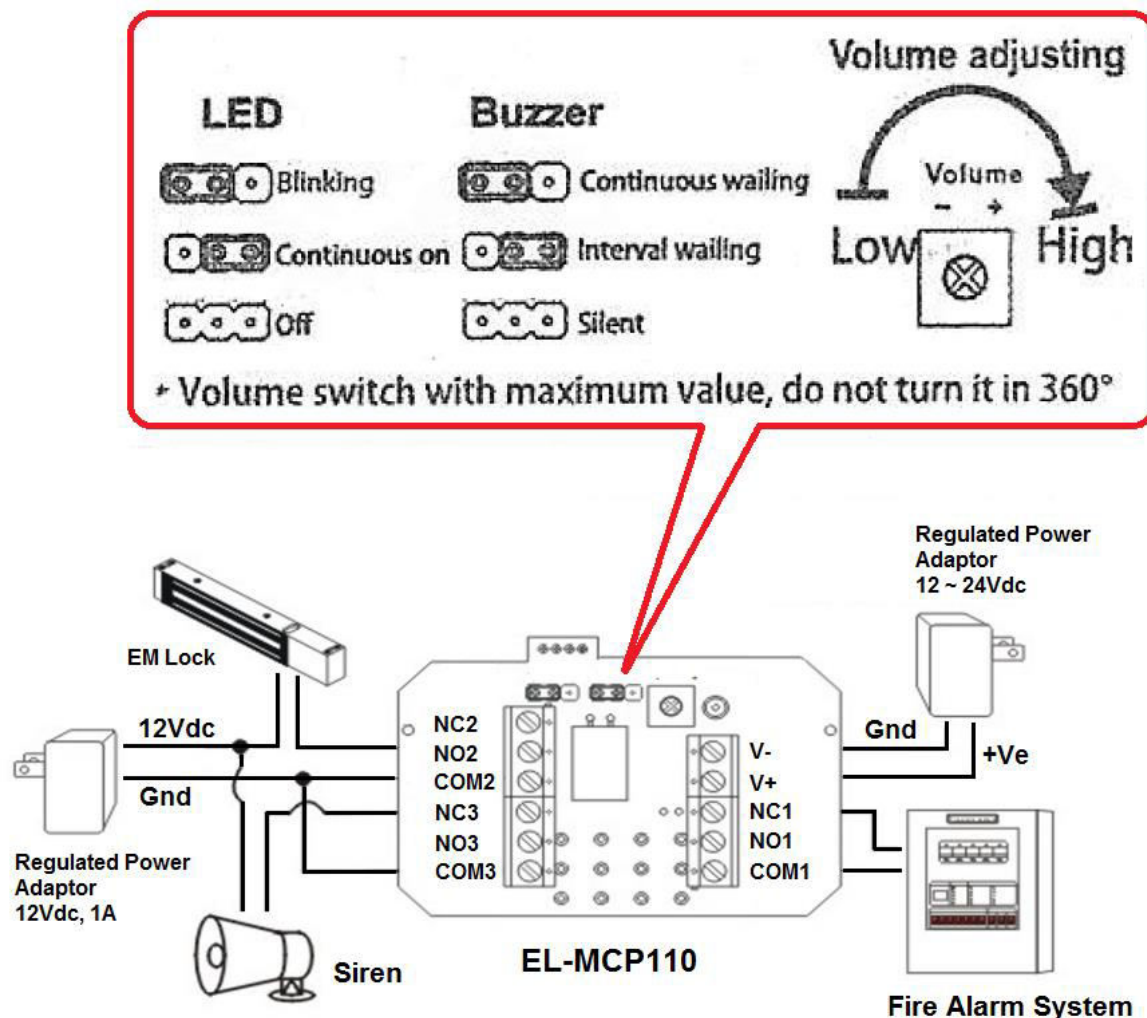
eLock[®]
Your Security is Our Responsibility

Kyodensha Technologies (M) Sdn Bhd (2057536-M)
Digit Innovation Technologies (M) Sdn Bhd (646972-U)

No. 12A Jalan PPU3A,
Pusat Teknologi Sinar Puchong
47150 Puchong Selangor, Malaysia

TEL +603-8066 4636 +603-8051 5788
FAX +603-8051 4919
WEB www.elock2u.net
EMAIL enquiry@elock2u.net

Application Diagram :



Standby :

- Green LED**
- EM Lock Secure**
- Siren OFF**

Emergency :

- Red LED**
- EM Lock Release**
- Siren ON**
- Signal to Fire Alarm System**