

Including : Strobe Light, Siren Horn, Strobe Light, Tamper Switch



Siren Box

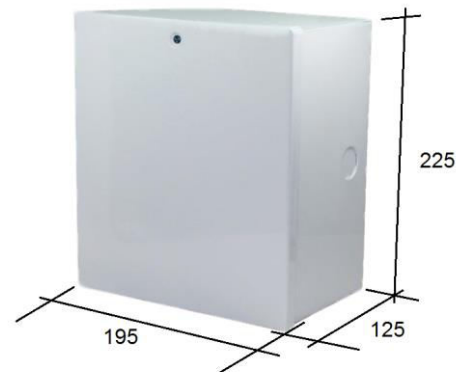
IP Rating : IP20

Operational Temperature : -20°C to 80°C

Operational Humidity :

0% - 95% RH (Non-Condensing)

Dimension : 195(W) x 125(D) x 225(H) mm



Tamper Switch

Contact : NC, COM (Press to Close Circuit)

Contact Rating : 4A 125VAC, 2A 250VAC

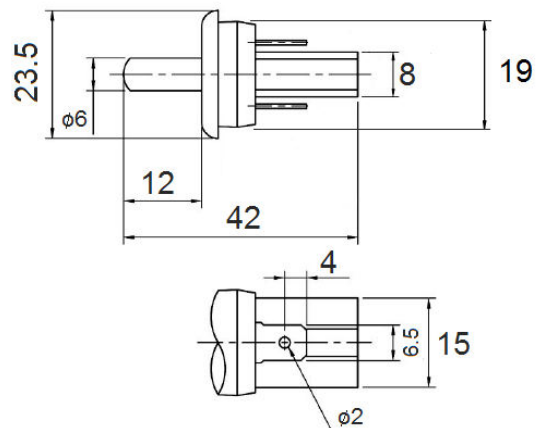
IP Rating : IP40

Operational Temperature : -20°C to 60°C

Operational Humidity :

0% - 95% RH (Non-Condensing)

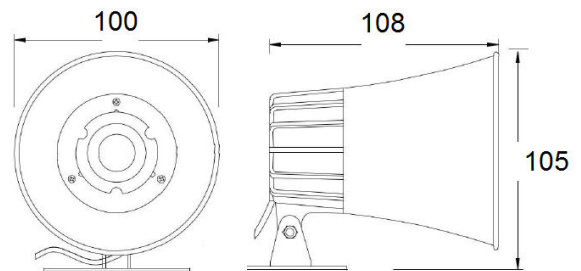
Dimension : 23mm(OD) x 42mm(L)





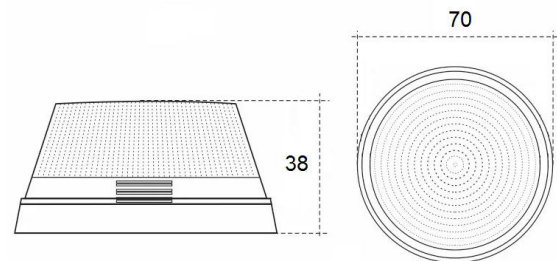
Siren Horn

Operating Voltage : 6~12Vdc
Current Drain: 340mA Max
Output Level: 120dB AT 12Vdc, 1FT
Power Rating: 10W
Cabinet: ABS Plastic Resin
IP Rating : IP40
Operational Temperature : -20°C to 60°C
Operational Humidity : 0% - 95% RH (Non-Condensing)
Dimension : 108(W) x 100(D) x 105(H) mm



Strobe Light

Flashes : 90/min
Operating Voltage : 12Vdc
Current Drain : 200mA
IP Rating : IP40
Operational Temperature : -20°C to 60°C
Operational Humidity : 0% - 95% RH (Non-Condensing)
Dimension : 70mm(OD) x 38mm(H)



Installation :



Wiring Diagram :

