

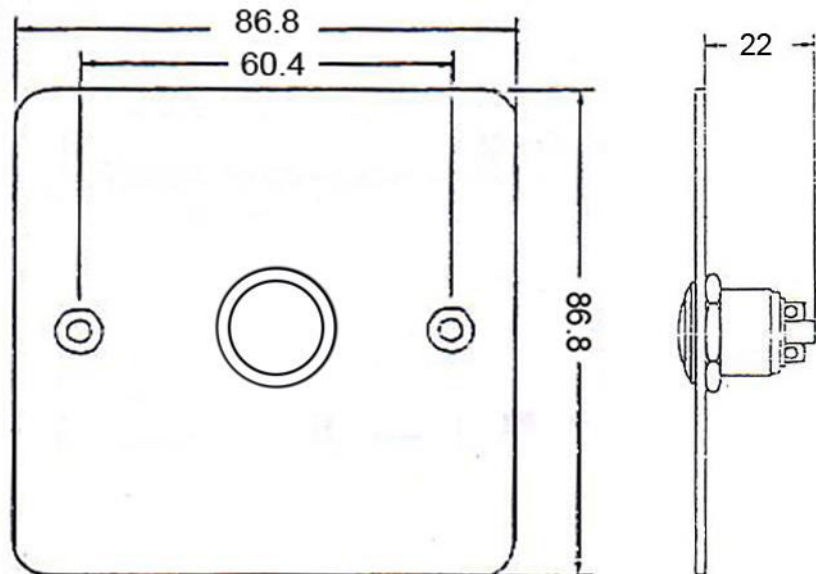


EL-EB3AB

EL-EB3AB Exit Button (Square) with Arabic Text

- Flush Stainless Steel Face Plate
- Single Pole With Arabic Text (Black Text)
- Button Housing: Zinc Alloy Die-Casted, chrome plated
- NO, COM contacts
- Contact Rating: 4A 125VAC, 2A 250VAC
- CE approved.
- Humidity : 0% to 95% RH (non-condensing)
- Dimension: 86.8mm(L) x 86.8mm(W) x 22mm(H)

Product Dimension



Wiring Diagram

