

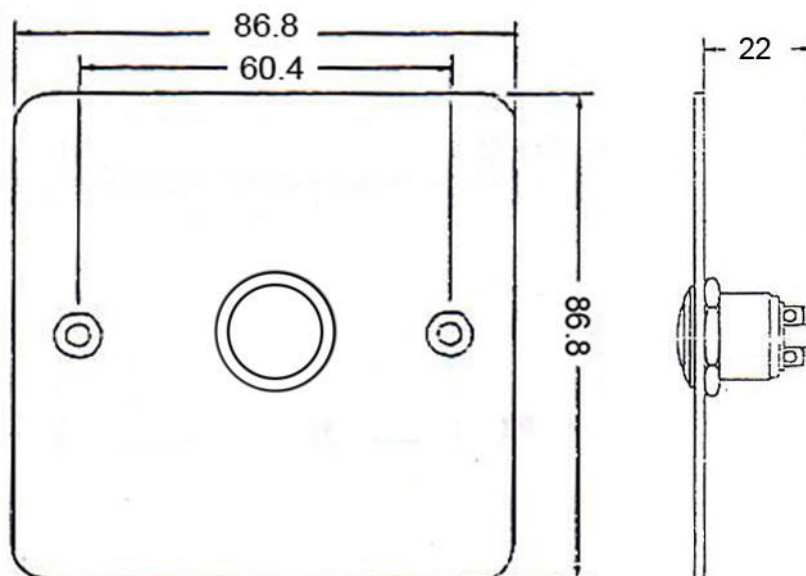


EL-EB3

### EL-EB3 Exit Button (Square)

- Flush Stainless Steel Face Plate
- Narrow Style
- Button Housing: Zinc Alloy Die-Casted, chrome plated
- NO, C contacts
- Contact Rating: 4A 125VAC, 2A 250VAC
- IP Rating: IP40
- CE approved.
- Humidity : 0% to 95% RH (non-condensing)
- Dimension: 86.8mm(L) x 86.8mm(W) x 22mm(H)

### Product Dimension



## Wiring Diagram

