



EL-EB1

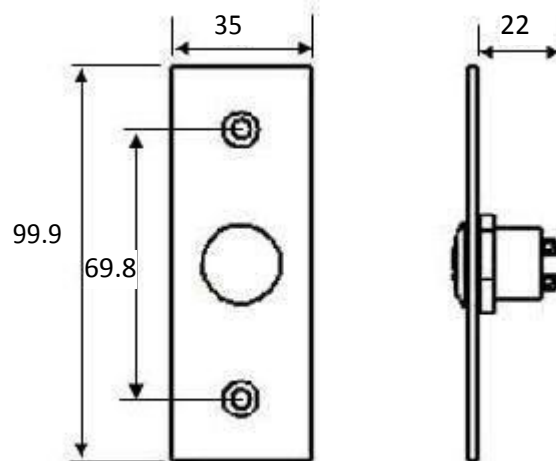
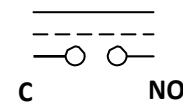
Specification

- Stainless Steel Exit Button
- Flush Stainless Steel Face Plate
- Narrow Style
- Button Housing : Zinc Alloy Die-Casted, Chrome Plated
- NO, C Contacts
- Contact Rating : 4A, 125VAC / 2A, 250VAC
- CE approved.
- Dimension : 99.9mm(L) x 35mm(W) x 22mm(H)

Technical Information



*NO, C Contacts
(normally open)



All dimensions in (mm)



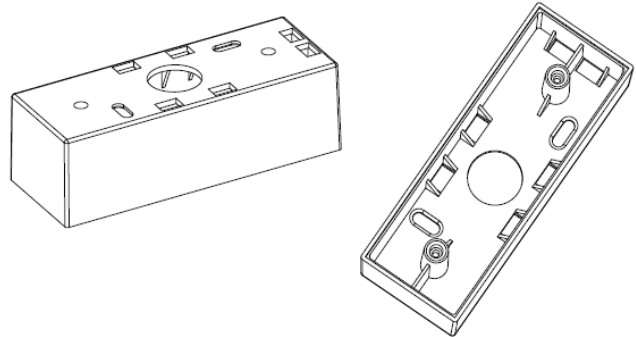
Specification

- CE approved
- Color : White
- Material : Plastic
- Dimension : 103mm(L) x 38mm(W) x 32mm(H)

Technical Information



EL-BB2



Unit: mm

