

## EL-KS1 SQUARE TYPE KEY SWITCH

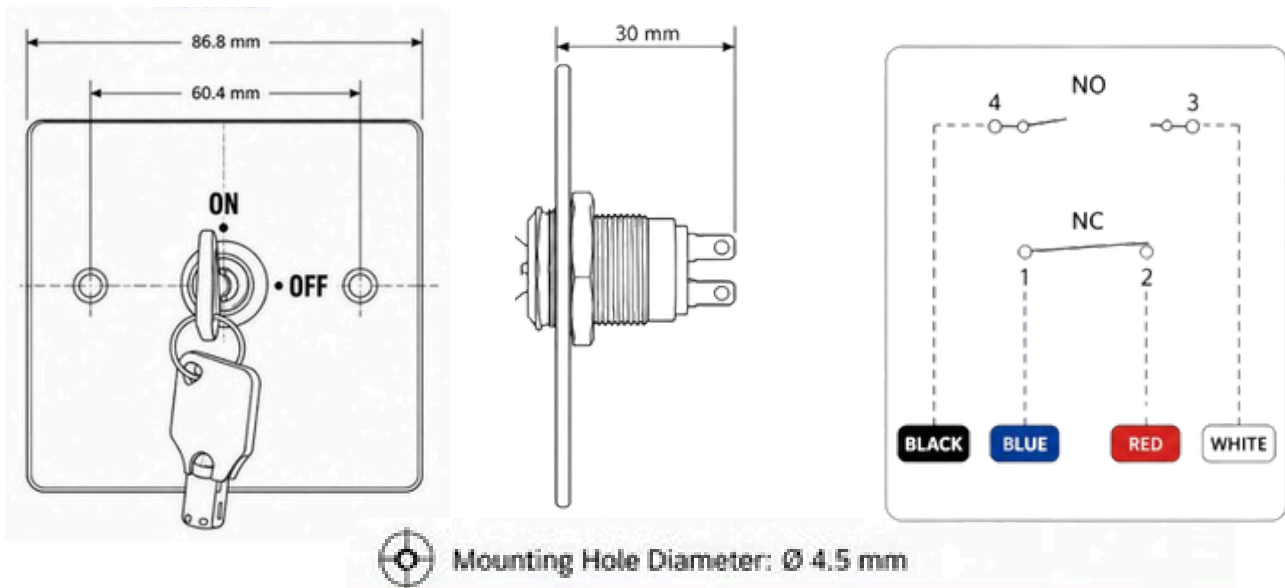


The EL-KS1 Key Switch is a flush or panel-mounted access control device designed for secure manual operation of electrical circuits. It uses a Single Pole Double Throw (SPDT) contact configuration with NO+COM and NC+COM options, making it suitable for a wide range of access control applications.

With two positions (On/Off) and a contact rating of 4A @125V AC / 2A @250V AC max, the EL-KS1 provides reliable switching performance.

It includes a 1NO + 1NC door status sensor, allowing integration with monitoring systems. The stainless steel panel construction ensures durability, and its IP44 splash resistance makes it suitable for semi-outdoor or sheltered environments.

# KEY SWITCH SERIES



Number of Positions:	2 (On/ Off)
Contact Type:	SPDT (NO+COM/ NC+COM )
Material:	304 Stainless Steel Panel
Contact Rating:	4A @125V AC/ 2A @250V AC max
Mounting Type:	Flush Mount, Panel Mount
IP Rating:	IP44 (Splash Resistant)
Dimension:	87 (H) x 30 (D) x 87 (W) mm
Door Status Sensor:	1NO+1NC